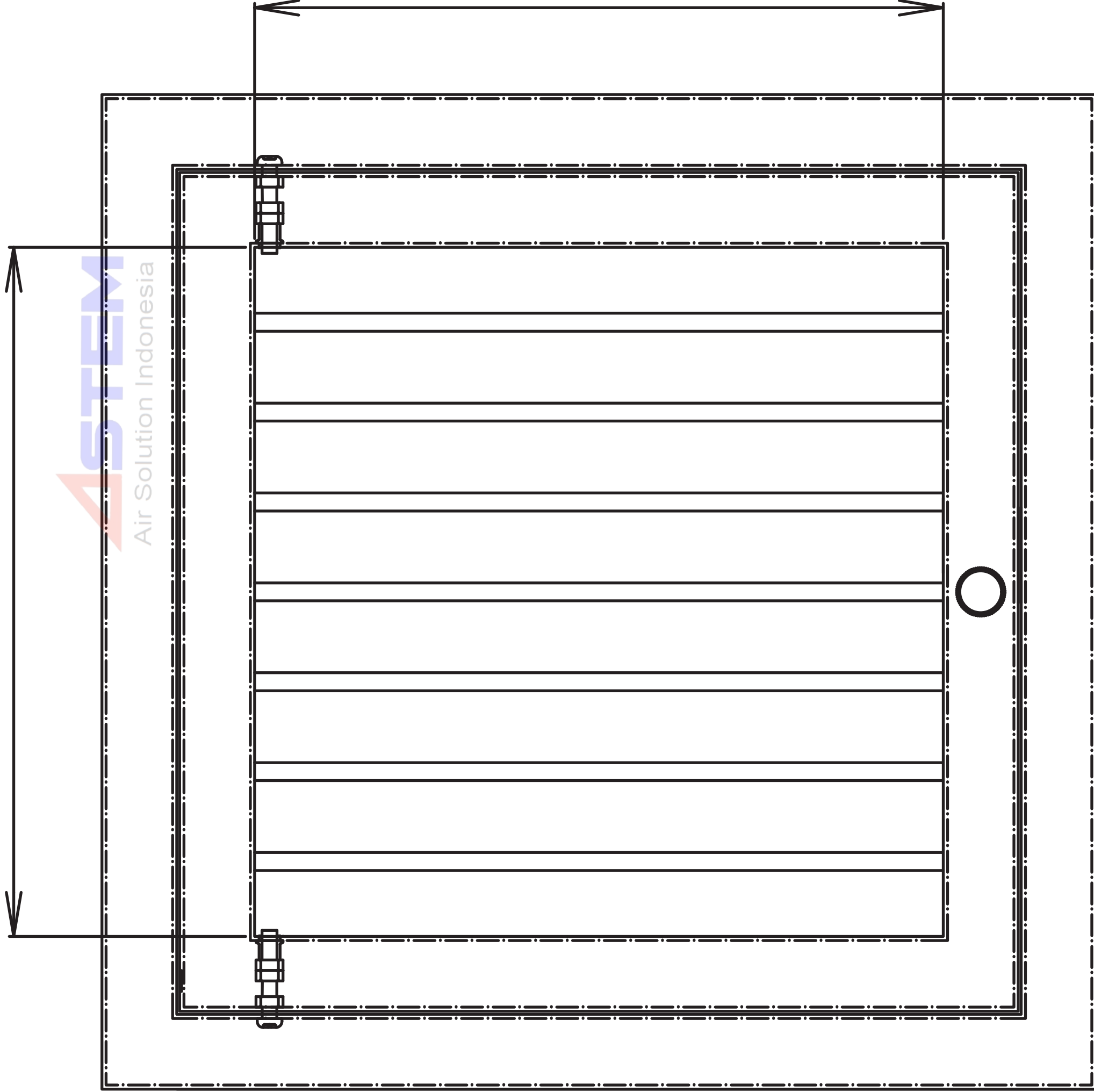


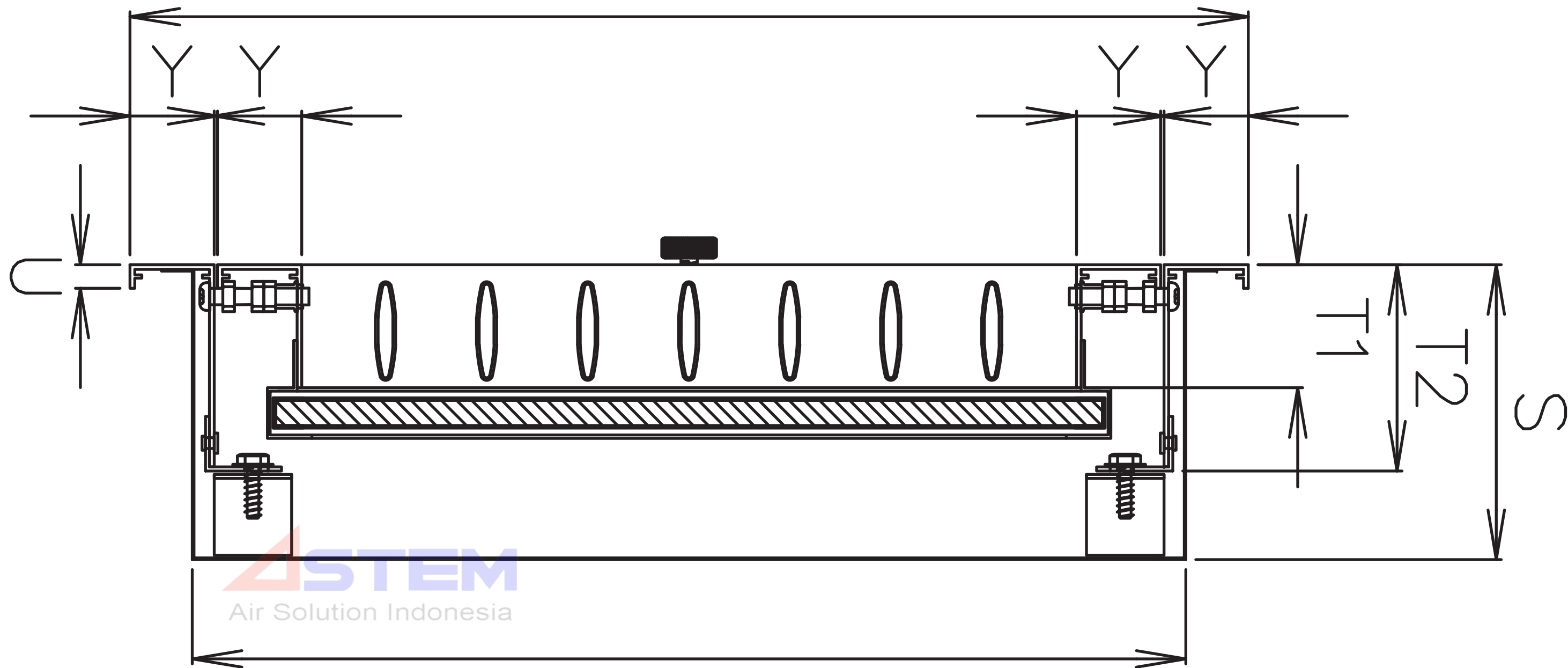
H1

W1



**ASTEM**  
Air Solution Indonesia

H2 x W2



X(Duct Size-5)

ASTEM  
Air Solution Indonesia